

ASSEMBLY INSTRUCTIONS

S52

REVISION 09/14



W1760mm x D720mm x H1970mm

NOTES

BEFORE COMMENCING SHED ASSEMBLY, CHECK ALL PARTS. IF THERE IS A DISCREPANCY, PLEASE CALL SPANBILT (SEE REAR OF INSTRUCTION BOOK)

DO NOT ASSEMBLE IN WINDY CONDITIONS



READ INSTRUCTIONS FIRST

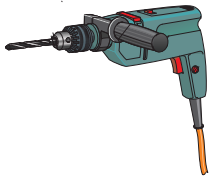


2 PERSON ASSEMBLY



THE MANUFACTURERS CANNOT BE HELD RESPONSIBLE FOR ANY CONSEQUENCES DUE TO SHEDS THAT ARE NOT INSTALLED PER INSTRUCTIONS OR FOR DAMAGE DUE TO WEATHER CONDITIONS, ACTS OF GOD OR FOR SHEDS THAT ARE LEFT PARTIALLY ASSEMBLED OVERNIGHT. PARTS MAY CONTAIN SHARP EDGES & CORNERS. CARE MUST BE TAKEN WHEN HANDLING VARIOUS PIECES TO AVOID A MISHAP, FOR SAFETY SAKE, PLEASE USE A PAIR OF WORK GLOVES, EYE PROTECTION & PROTECTIVE CLOTHING WHEN ASSEMBLING OR PERFORMING ANY MAINTENANCE ON THE BUILDING.

TOOLS REQUIRED



Electric Drill



Cordless Drill



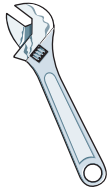
Measuring Tape



Screwdrivers



8mm Masonry Drill Bit



Shifting Spanner



Builders Pencil



**Tin Snips
(some models only)**



Rubber Mallet



**Sturdy Ladder
(two if possible)**

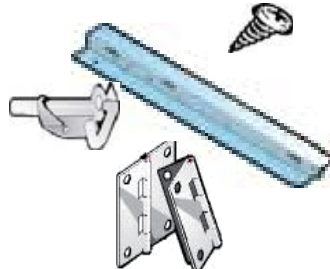


Gloves

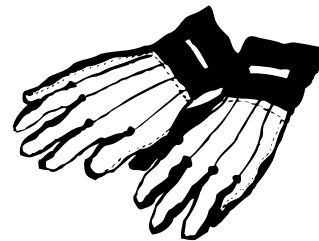


Protective Eyewear

HANDY HINTS FOR CONSTRUCTION



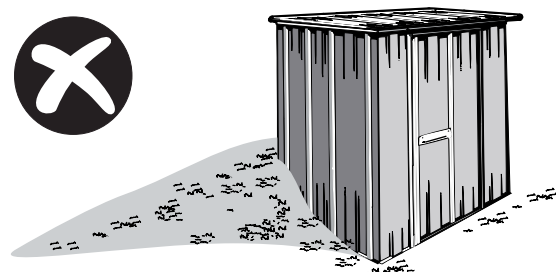
Read instructions and check parts carefully before assembling the shed.



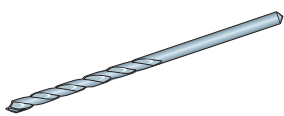
Please wear safety gloves and glasses at all times to protect against sharp metal edges.



Do not assemble in windy conditions as panels may be difficult to handle and damage may result.

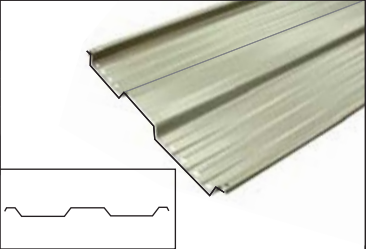
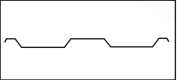
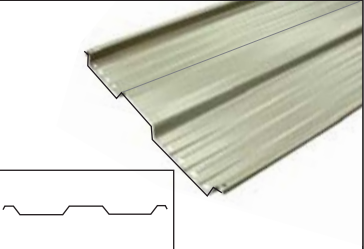
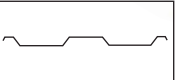
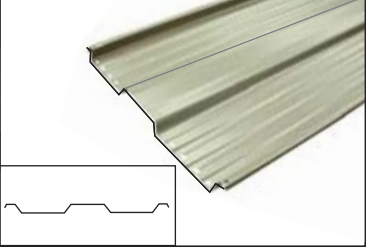
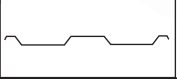

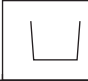
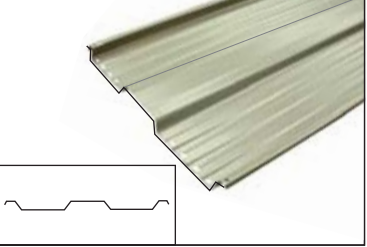
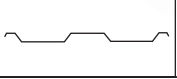

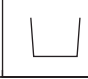
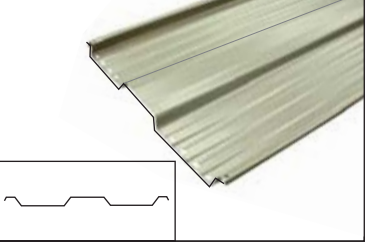
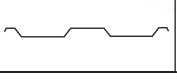

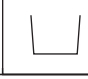
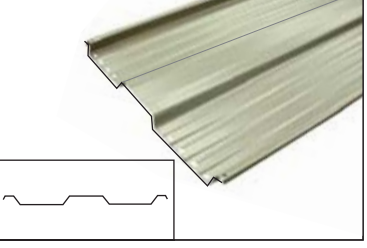
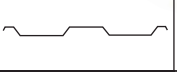
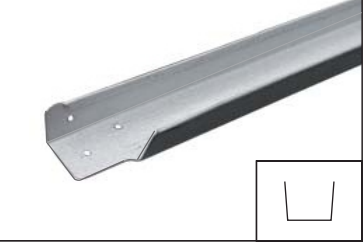
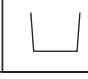
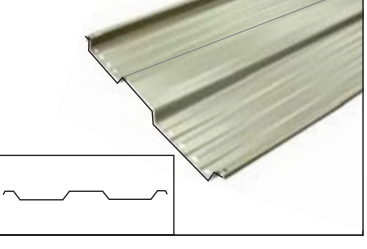
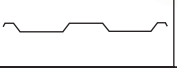
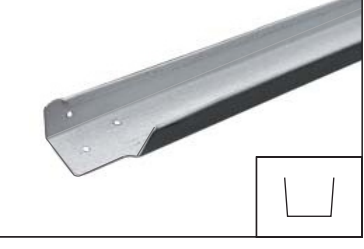
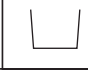
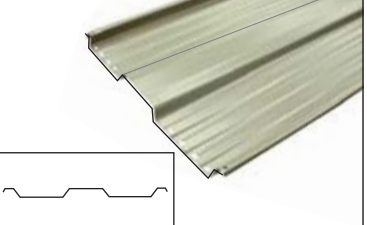
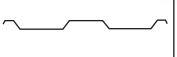




Do not back fill against the shed as this will result in corrosion. Allow drainage from the site.

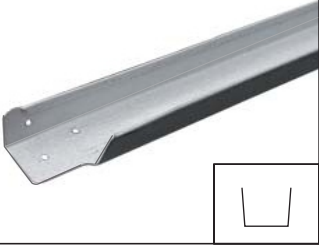

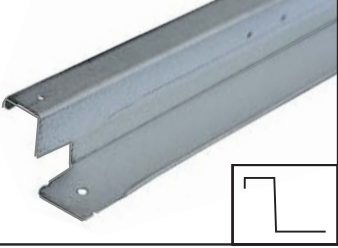

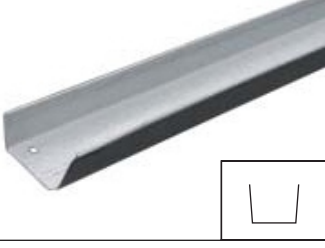



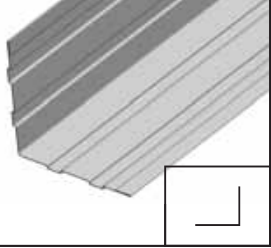

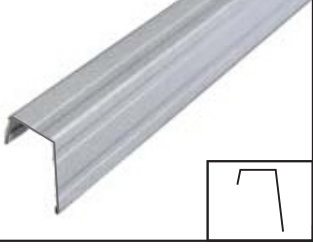


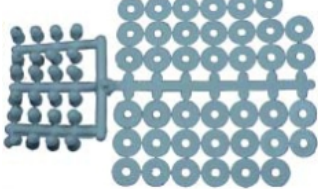


MOST PILOT HOLES ARE PRE-PUNCHED AND IN THIS CASE DRILLING HOLES IS NOT NECESSARY, HOWEVER SOME PILOT HOLES NEED TO BE DRILLED WITH THE INCLUDED 2.5MM DRILL BIT WHERE INDICATED

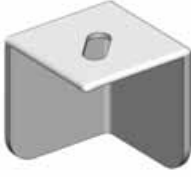
PARTS LIST


PRODUCT NUMBERS A1 A2 Quantity (total) 2 Description: Right Skillion Wall Panel		 	PRODUCT ID G Length 1738mm Quantity 1 Description: Door Panel Centre		 
PRODUCT NUMBERS B1 B2 Quantity (total) 2 Description: Left Skillion Wall Panel		 	PRODUCT ID H Length 1008mm Quantity 2 Description: Door Frame Top/Bottom		 
PRODUCT ID C Length 1926mm Quantity 4 Description: Rear Wall Panel		 	PRODUCT ID I Length 1742mm Quantity 2 Description: Door Frame Side		 
PRODUCT ID D Length 1800mm Quantity 2 Description: Front Wall Corner Panel		 	PRODUCT ID J Length 1706mm Quantity 2 Description: Door Boxing		 
PRODUCT ID D Length 1926mm Quantity 1 Description: Rear Wall Corner Panel		 	PRODUCT ID K Length 1280mm Quantity 2 Description: Door Bracing		 
PRODUCT ID E Length 817mm Quantity 5 Description: Roof Panel		 	PRODUCT ID M Length 1753mm Quantity 4 Description: Top/Bottom Front/Rear Channel		 
PRODUCT ID F Length 1738mm Quantity 2 Description: Door Panel Side (partially slit)		 	PRODUCT ID N Length 715mm Quantity 2 Description: Side Channel Bottom		 

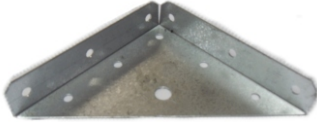
PARTS LIST


<table border="1"> <tr> <td>PRODUCT ID</td> <td>O</td> </tr> <tr> <td>Length</td> <td>726mm</td> </tr> <tr> <td>Quantity</td> <td>2</td> </tr> <tr> <td colspan="2">Description: Side Channel Top</td> </tr> </table>	PRODUCT ID	O	Length	726mm	Quantity	2	Description: Side Channel Top			<table border="1"> <tr> <td>Quantity</td> <td>1</td> </tr> <tr> <td colspan="2">Description: 2.5mm Drill Bit</td> </tr> </table>	Quantity	1	Description: 2.5mm Drill Bit		
PRODUCT ID	O														
Length	726mm														
Quantity	2														
Description: Side Channel Top															
Quantity	1														
Description: 2.5mm Drill Bit															
<table border="1"> <tr> <td>PRODUCT ID</td> <td>Q</td> </tr> <tr> <td>Length</td> <td>1800mm</td> </tr> <tr> <td>Quantity</td> <td>2</td> </tr> <tr> <td colspan="2">Description: Door Jamb</td> </tr> </table>	PRODUCT ID	Q	Length	1800mm	Quantity	2	Description: Door Jamb			<table border="1"> <tr> <td>Quantity</td> <td>2</td> </tr> <tr> <td colspan="2">Description: Clip Nut</td> </tr> </table>	Quantity	2	Description: Clip Nut		
PRODUCT ID	Q														
Length	1800mm														
Quantity	2														
Description: Door Jamb															
Quantity	2														
Description: Clip Nut															
<table border="1"> <tr> <td>PRODUCT ID</td> <td>R</td> </tr> <tr> <td>Length</td> <td>1021mm</td> </tr> <tr> <td>Quantity</td> <td>1</td> </tr> <tr> <td colspan="2">Description: Bottom Door Spacer</td> </tr> </table>	PRODUCT ID	R	Length	1021mm	Quantity	1	Description: Bottom Door Spacer			<table border="1"> <tr> <td>Quantity</td> <td>2</td> </tr> <tr> <td colspan="2">Description: Hinges (offset)</td> </tr> </table>	Quantity	2	Description: Hinges (offset)		
PRODUCT ID	R														
Length	1021mm														
Quantity	1														
Description: Bottom Door Spacer															
Quantity	2														
Description: Hinges (offset)															
<table border="1"> <tr> <td>PRODUCT ID</td> <td>S</td> </tr> <tr> <td>Length</td> <td>1021mm</td> </tr> <tr> <td>Quantity</td> <td>1</td> </tr> <tr> <td colspan="2">Description: Top Door Spacer</td> </tr> </table>	PRODUCT ID	S	Length	1021mm	Quantity	1	Description: Top Door Spacer			<table border="1"> <tr> <td>Quantity</td> <td>1</td> </tr> <tr> <td colspan="2">Description: Door Plate</td> </tr> </table>	Quantity	1	Description: Door Plate		
PRODUCT ID	S														
Length	1021mm														
Quantity	1														
Description: Top Door Spacer															
Quantity	1														
Description: Door Plate															
<table border="1"> <tr> <td>PRODUCT ID</td> <td>V</td> </tr> <tr> <td>Length</td> <td>1750mm</td> </tr> <tr> <td>Quantity</td> <td>2</td> </tr> <tr> <td colspan="2">Description: Gutter Trim</td> </tr> </table>	PRODUCT ID	V	Length	1750mm	Quantity	2	Description: Gutter Trim			<table border="1"> <tr> <td>Quantity</td> <td>1</td> </tr> <tr> <td colspan="2">Description: Padbolt</td> </tr> </table>	Quantity	1	Description: Padbolt		
PRODUCT ID	V														
Length	1750mm														
Quantity	2														
Description: Gutter Trim															
Quantity	1														
Description: Padbolt															
<table border="1"> <tr> <td>PRODUCT ID</td> <td>W</td> </tr> <tr> <td>Length</td> <td>809mm</td> </tr> <tr> <td>Quantity</td> <td>2</td> </tr> <tr> <td colspan="2">Description: Roof Angle Trim</td> </tr> </table>	PRODUCT ID	W	Length	809mm	Quantity	2	Description: Roof Angle Trim			<table border="1"> <tr> <td>Quantity</td> <td>1</td> </tr> <tr> <td colspan="2">Description: Keeper</td> </tr> </table>	Quantity	1	Description: Keeper		
PRODUCT ID	W														
Length	809mm														
Quantity	2														
Description: Roof Angle Trim															
Quantity	1														
Description: Keeper															
<table border="1"> <tr> <td>Quantity</td> <td>200</td> </tr> <tr> <td colspan="2">Description: Self Tapping Screws - Silver</td> </tr> </table>	Quantity	200	Description: Self Tapping Screws - Silver			<table border="1"> <tr> <td>Quantity</td> <td>1</td> </tr> <tr> <td colspan="2">Description: Plastic Washer and Screw Cap Sheet</td> </tr> </table>	Quantity	1	Description: Plastic Washer and Screw Cap Sheet						
Quantity	200														
Description: Self Tapping Screws - Silver															
Quantity	1														
Description: Plastic Washer and Screw Cap Sheet															


PARTS LIST


Quantity	4	
Description: Plastic Corner Cap		

Quantity	4	
Description: 3/16" Nut & Bolt		

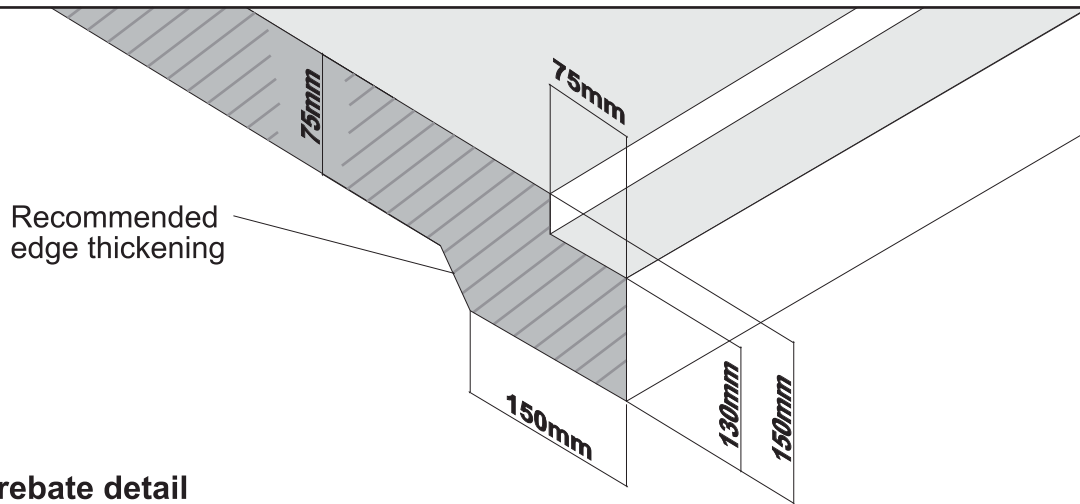
Quantity	4	
Description: Corner Bracket		

Quantity	6	
Description: Masonry Anchor		

Quantity	2	
Description: 55mm Bracket		

Quantity	1	
Description: Phillips Head Bit		

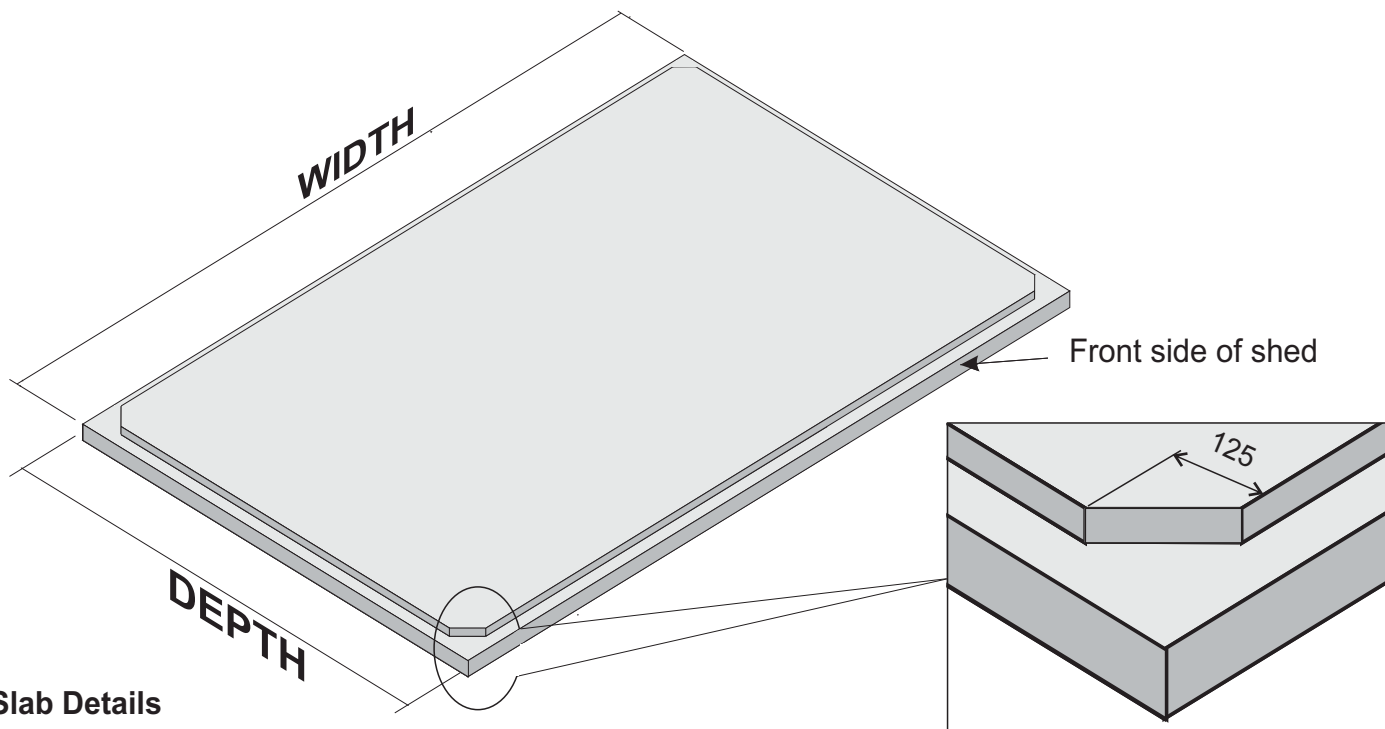
FOUNDATION



Recommended slab rebate detail

Although *not required*, it is strongly recommended that, to avoid water leakage around the base of your shed, a rebate be cast into the slab. This will allow the shed to sit below the slab level and prevent water from reaching the upper level of the slab.

If you planning a rebated slab make sure to cut the 4 corners at $125 \times 45^\circ$ as shown in detail below.



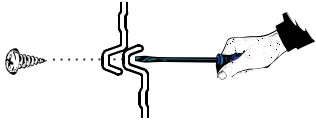
Slab Details

Your garden shed must be erected on a solid, level and square foundation. We strongly recommend you pour a concrete slab 75mm thick, reinforced with SL62 mesh (minimum) using dimensions from the table below.

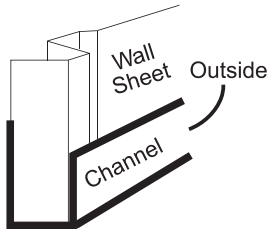
Masonry anchors are supplied

SHED CODE	OUTER SLAB SIZE width x depth	ANCHORS M8 x 40mm
52	1860mm x 820mm	6

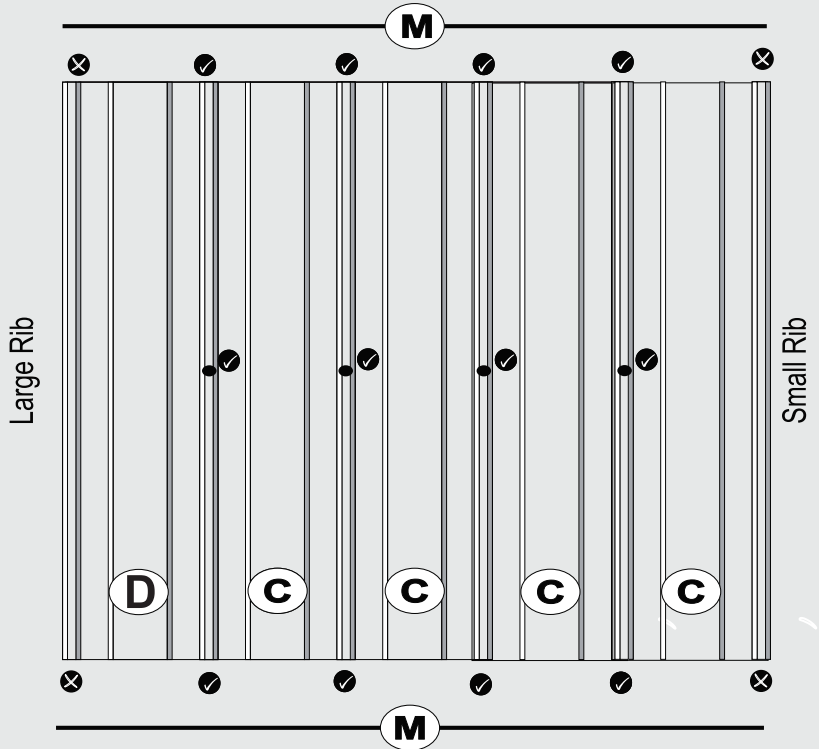
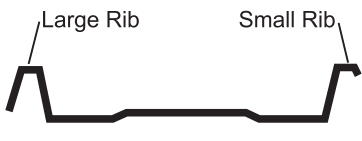
REAR WALL PANEL



If you are having trouble screwing the channel to the sheets, chock behind the hole .

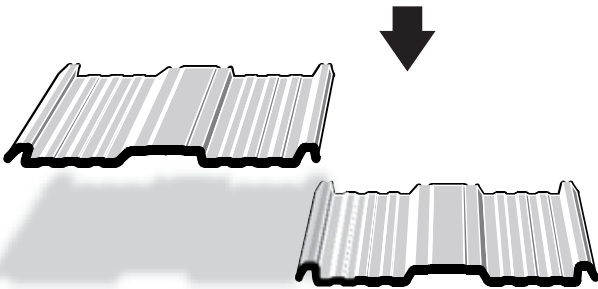


Ensure that the small lip of the channel is to the outside of the shed.

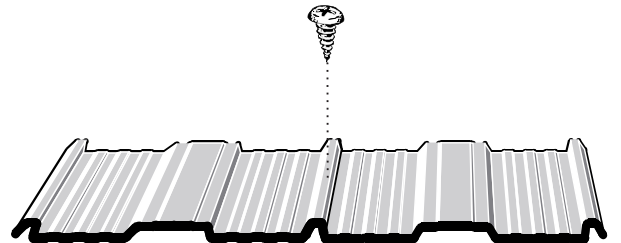


Fit the top and bottom channel to the wall panels. Ensure the channel is flush with the edge of the sheets. Do not screw the ends of the channel to the sheets at this point.

1



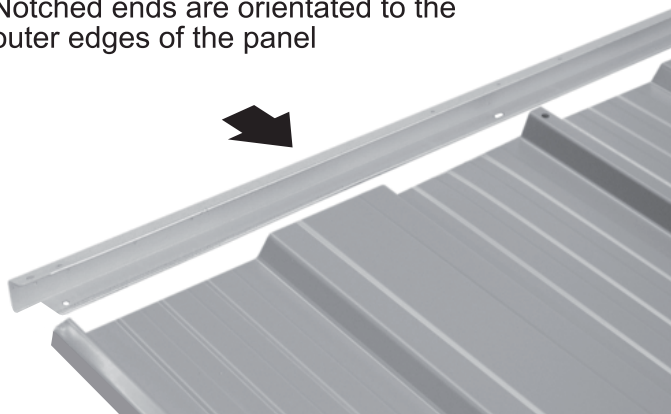
Lay the wall panels out with the large rib overlapping the small.



Screw the wall panels in the centre of the rib as shown.

2

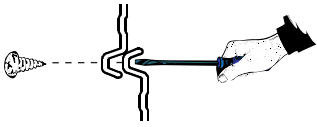
Notched ends are orientated to the outer edges of the panel



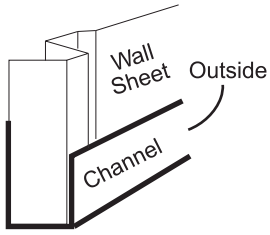
Do not screw here yet



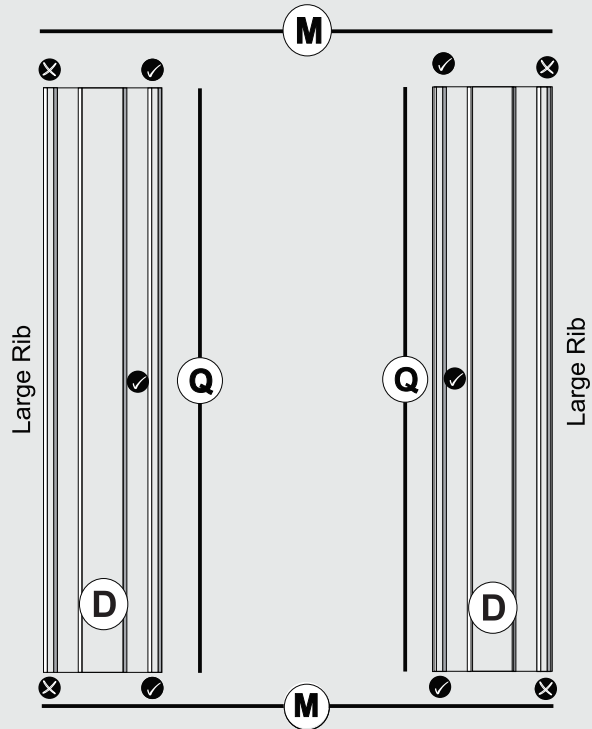
FRONT WALL PANEL



If you are having trouble screwing the channel to the sheets, chock behind the hole .

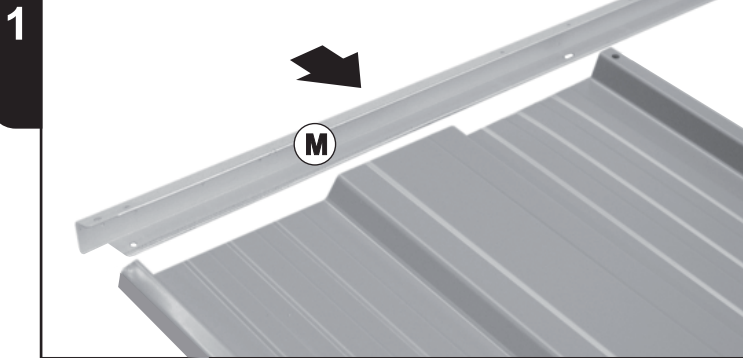


Ensure that the small lip of the channel is to the outside of the shed.

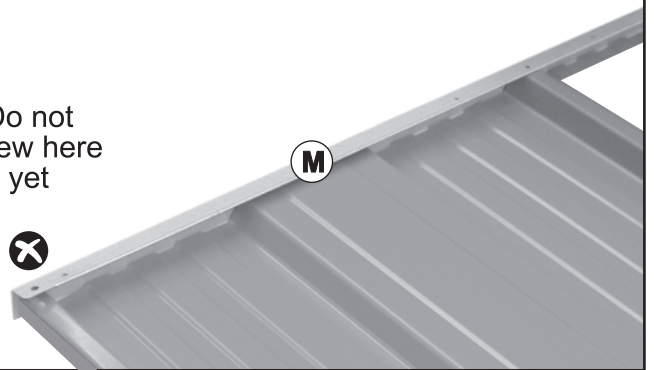


Fit the top and bottom channel and door jambs to the wall panels. It is key to ensure the large rib on the sheets is to the outside of the front wall panel and the channel is flush with the edge of the sheets. Do not screw the ends of the channel to the sheets at this point.

1 Notched ends are orientated to the outer edges of the panel

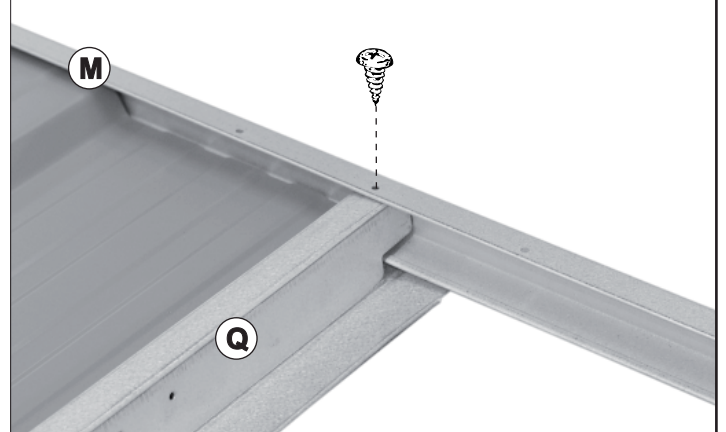
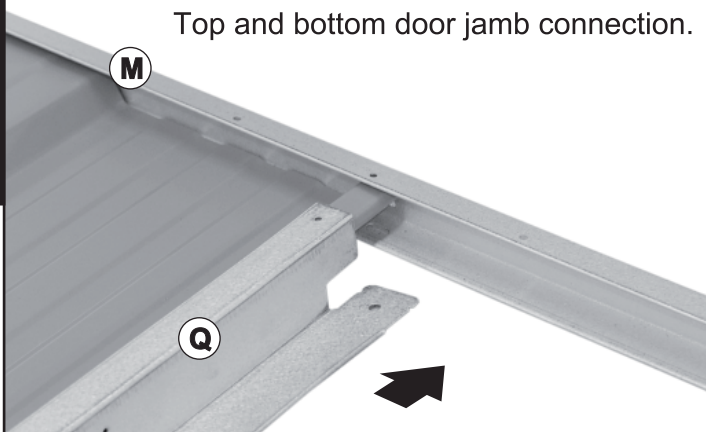


Do not screw here yet

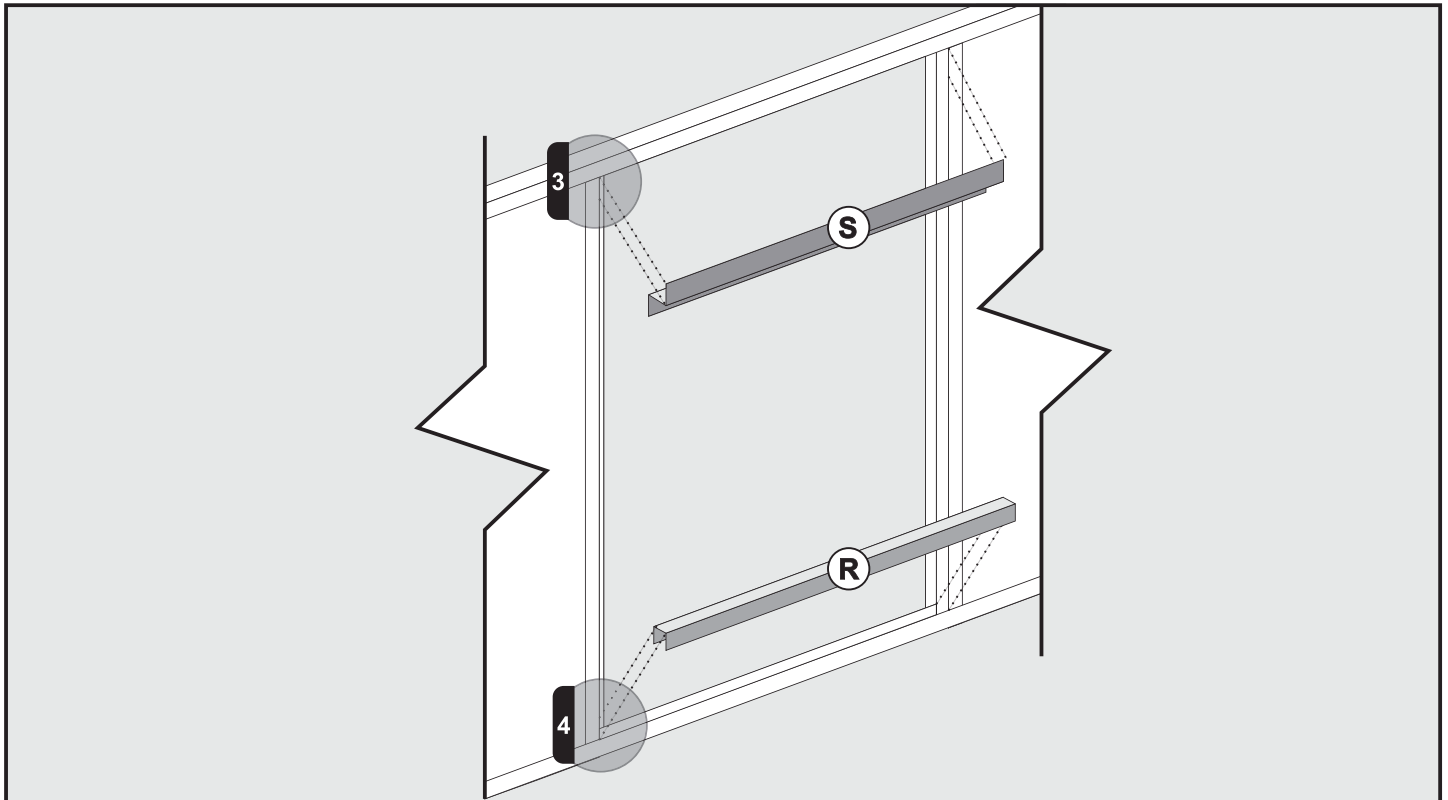


2

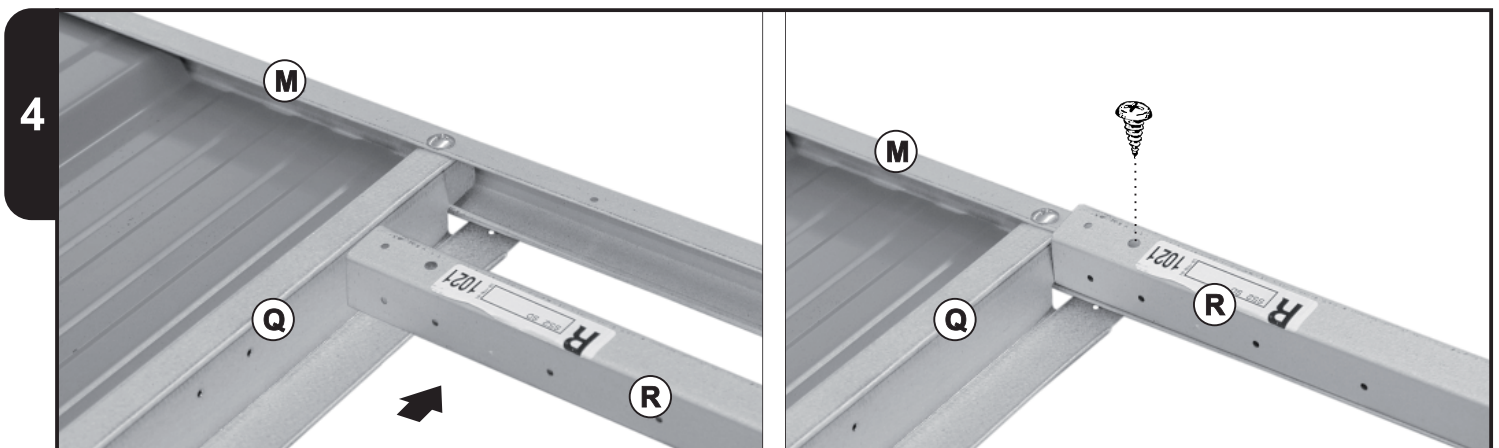
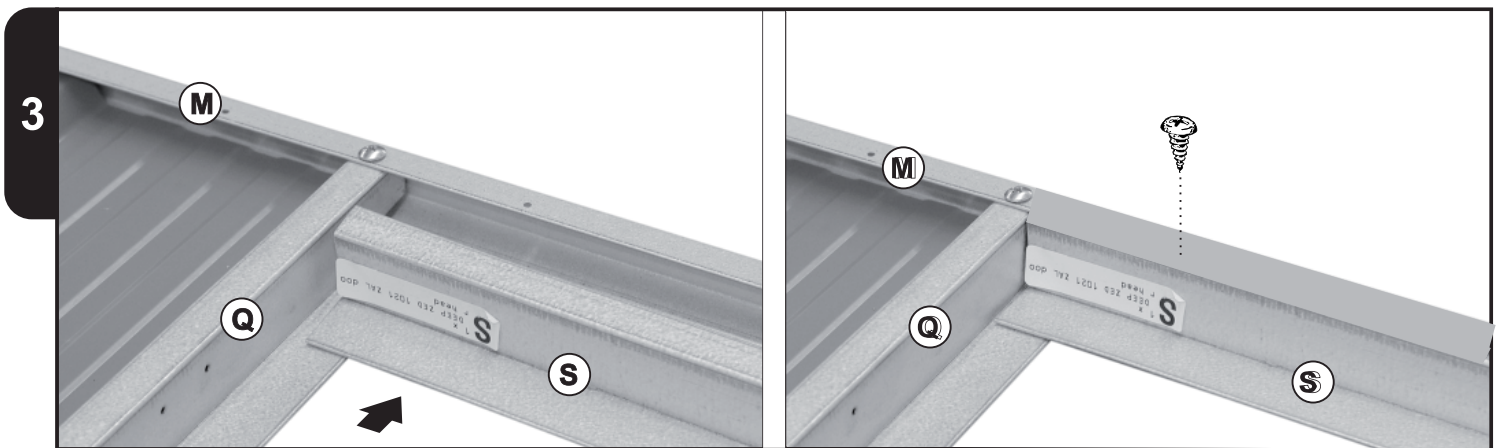
Top and bottom door jamb connection.



FRONT WALL PANEL

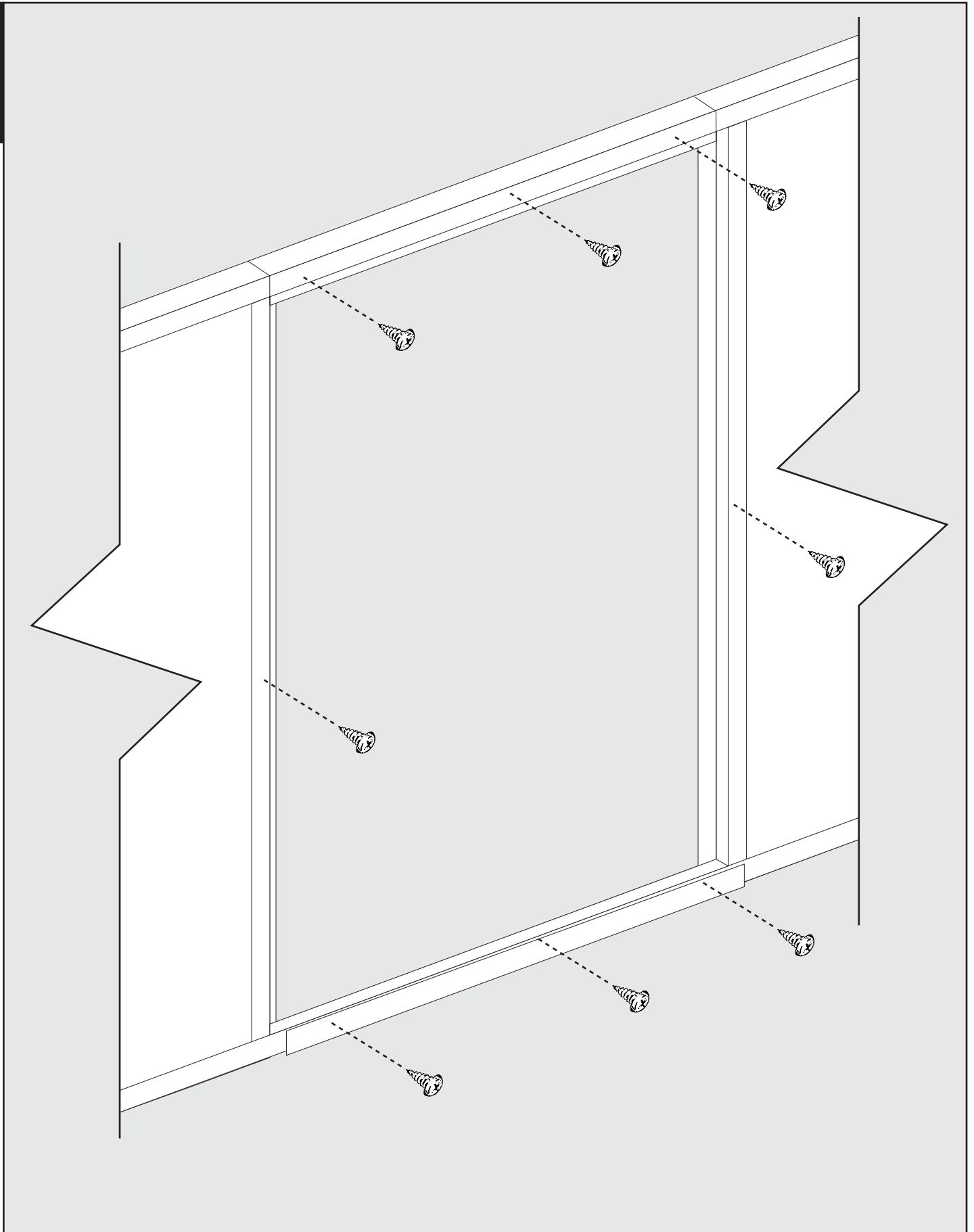


Fit the top door spacer and the bottom door spacer to the front wall panel as shown. Some pilot holes may need to be drilled with the included 2.5mm drill bit

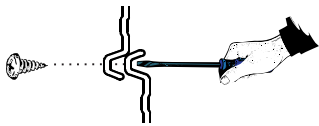


FRONT WALL PANEL

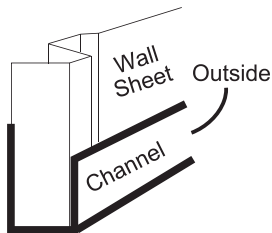
5



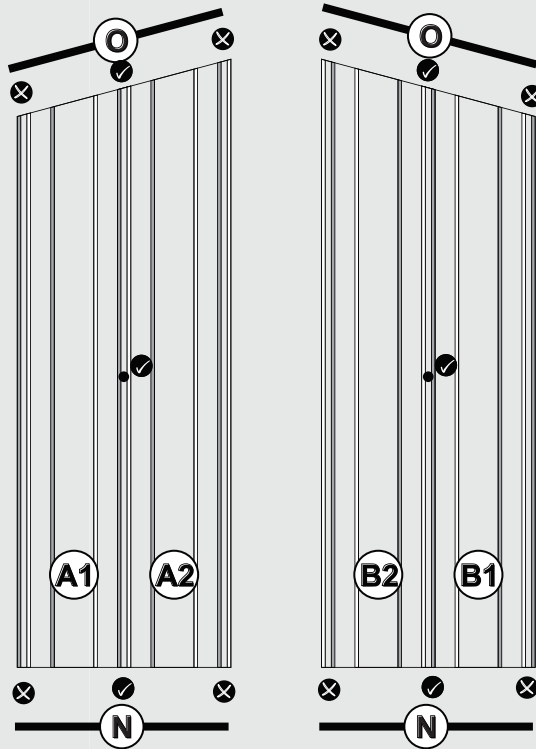
SKILLION WALL PANELS



If you are having trouble screwing the channel to the sheets, check behind the hole.

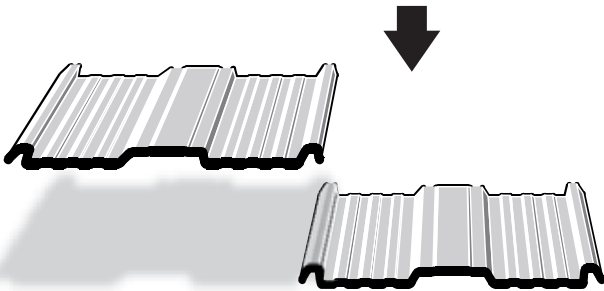


Ensure that the small lip of the channel is to the outside of the shed.

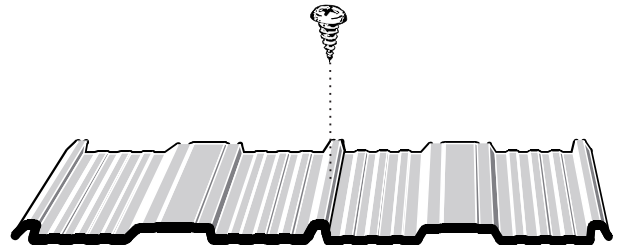


Fit the top and bottom channel to the wall panels. Ensure the channel is flush with the edge of the sheets. Do not screw the ends of the channel to the sheets at this point.

1



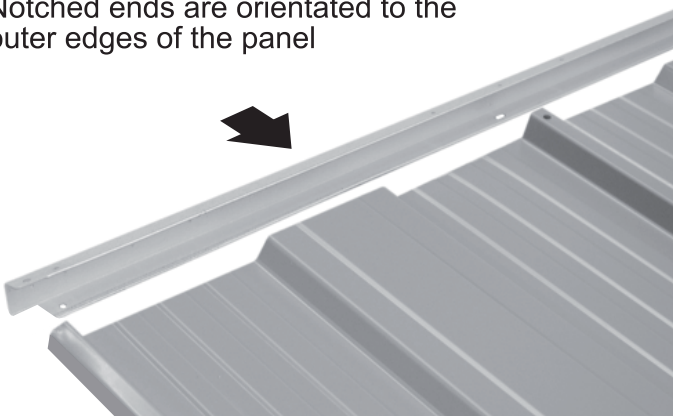
Lay the wall panels out with the large rib overlapping the small.



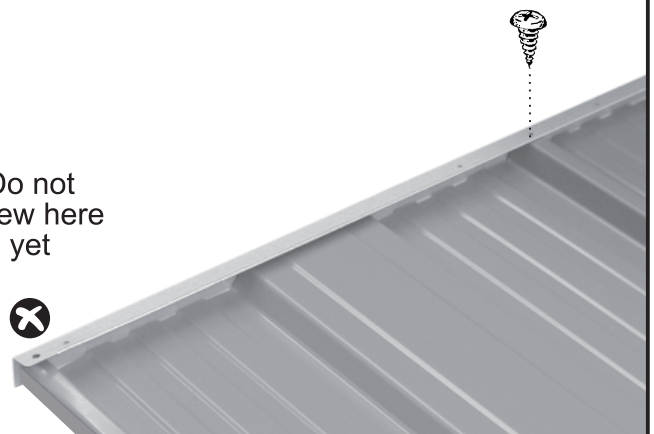
Screw the wall panels in the centre of the rib as shown.

2

Notched ends are orientated to the outer edges of the panel

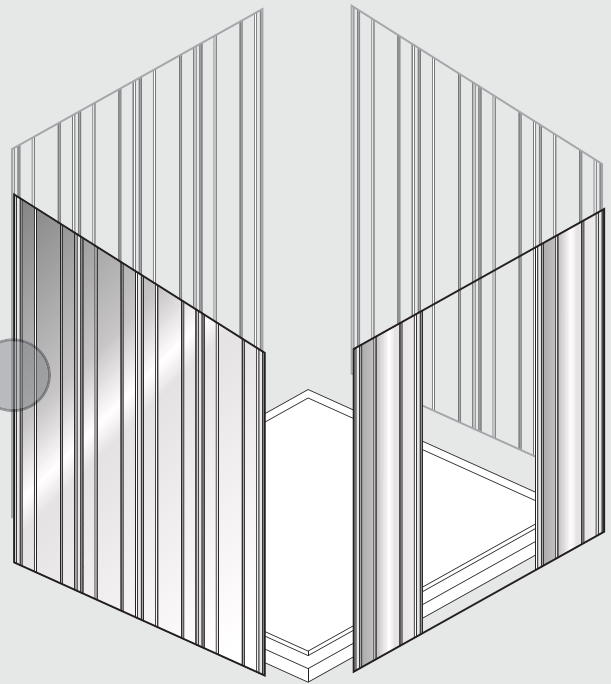
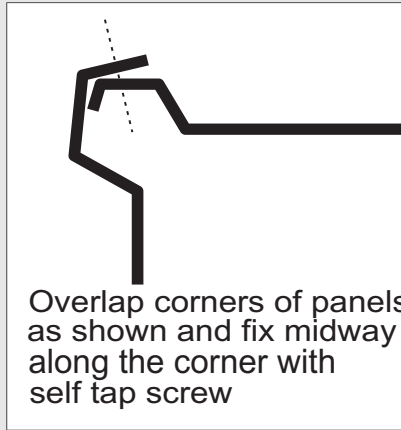


Do not screw here yet

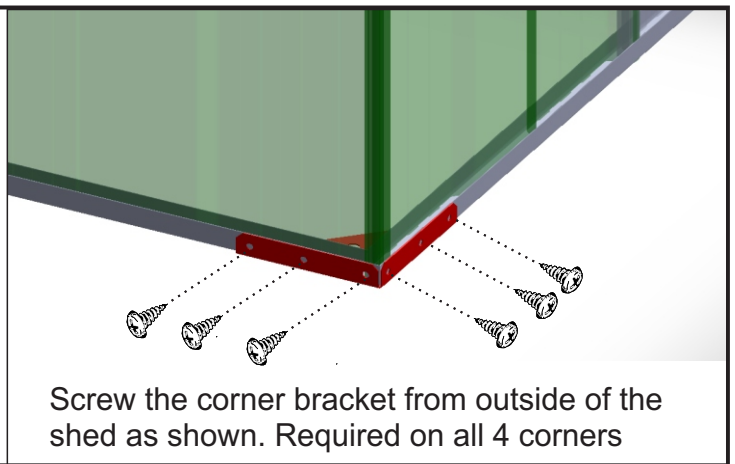
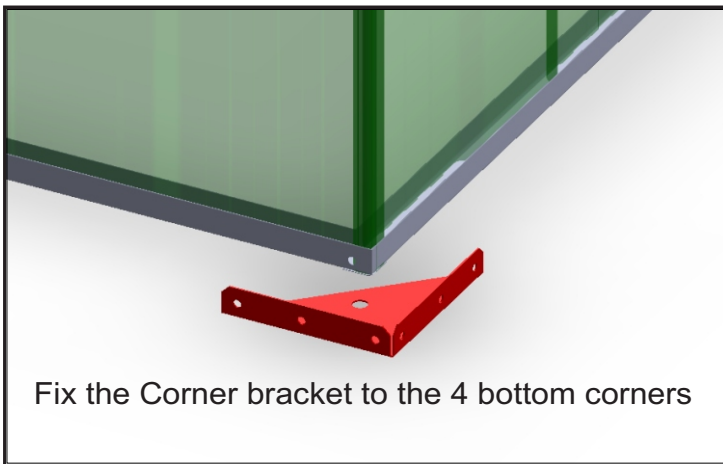


STAND AND JOIN WALL PANELS

NOTE: The diagram below shows a 44 skillion roof shed. The assembly process is the same for all skillion roof sizes.



Once the four wall panels are assembled, they can now be stood and fixed together. Fix using the corner brackets and screws as shown below. Fix the front panel last. N.B when assembling large wall models, eg. 7 panels width and above, extra care should be taken, with person two providing adequate support to stop the wall from distorting.

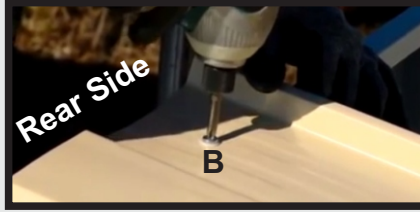


FIT ROOF

1



Step 1: Place roof sheet on top, start from the left, big rib should flush with channel "O". Place all sheets as shown.



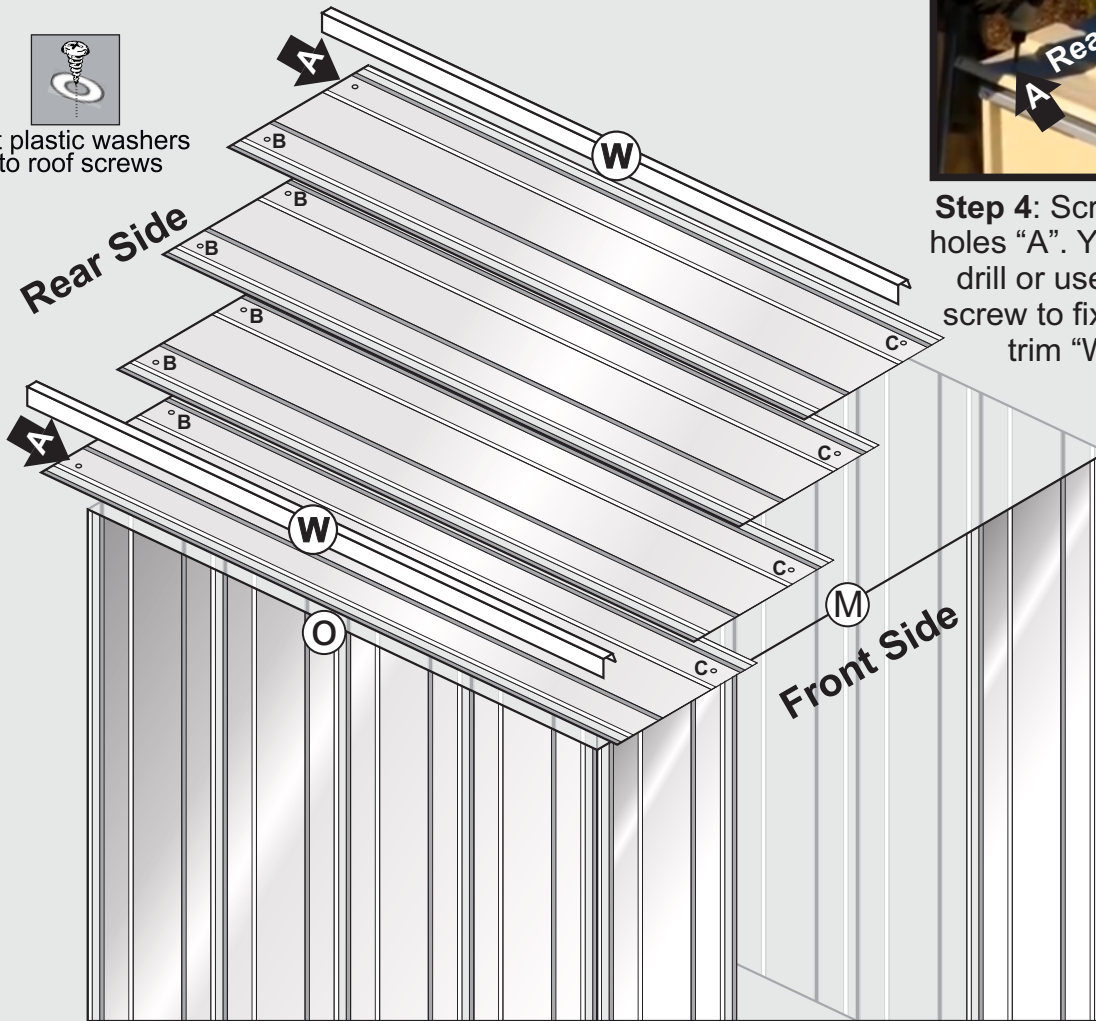
Step 2: Start from rear side. Screw all holes "B". Do not screw the hole "A" yet.



Step 3: Screw the front side through all holes "C". one screw per sheet.



Fit plastic washers to roof screws

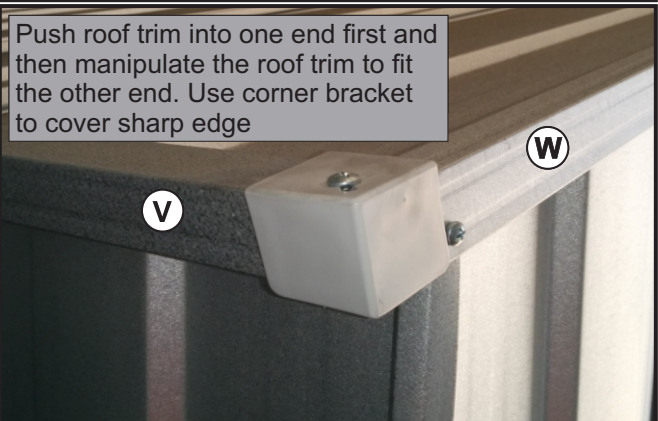


Step 4: Screw the Rear side holes "A". You may either pre drill or use self drilling tek screw to fix this. Now place trim "W" as shown.

2

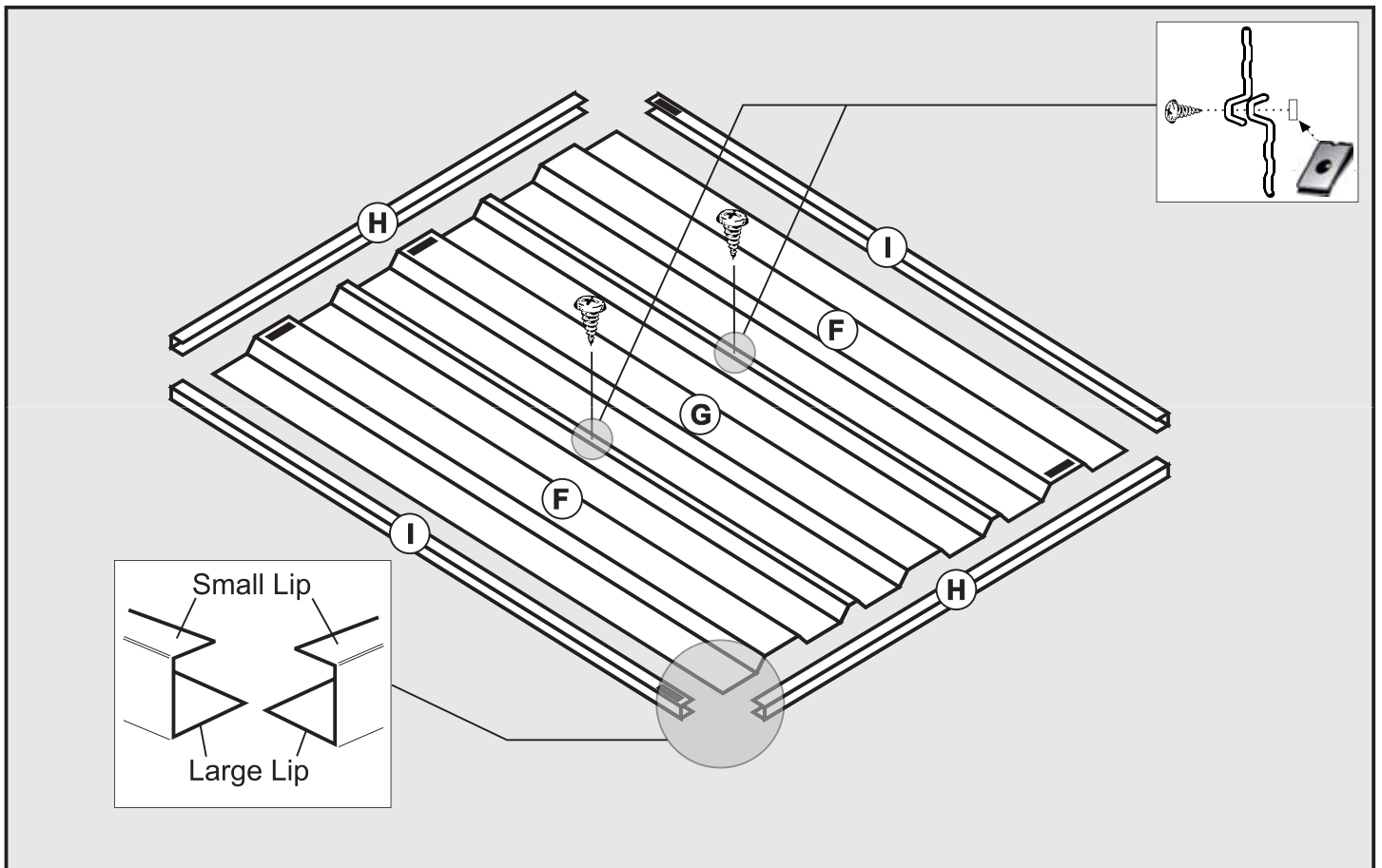


Remove Channel Screw and attach the Trim W and screw it back.

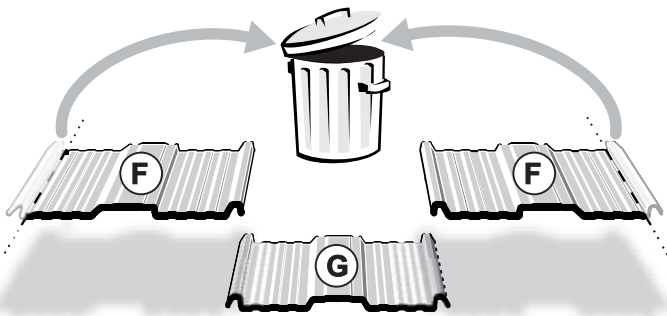


Push roof trim into one end first and then manipulate the roof trim to fit the other end. Use corner bracket to cover sharp edge

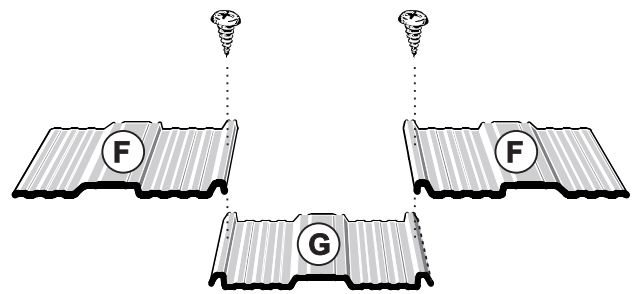
ASSEMBLE DOOR



1



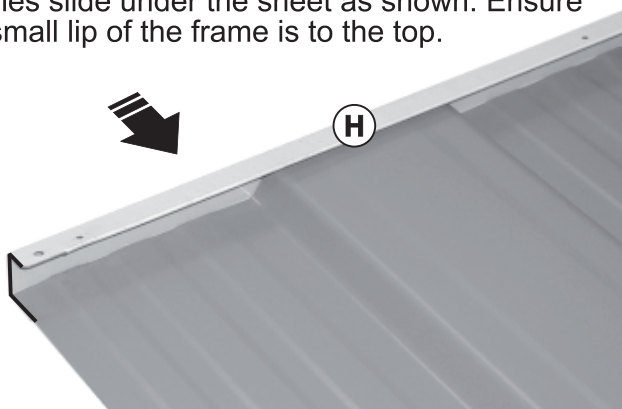
Two of the door sheets come with one rib partially slit. Break them off and discard them.



Screw the sheets in the centre.

2

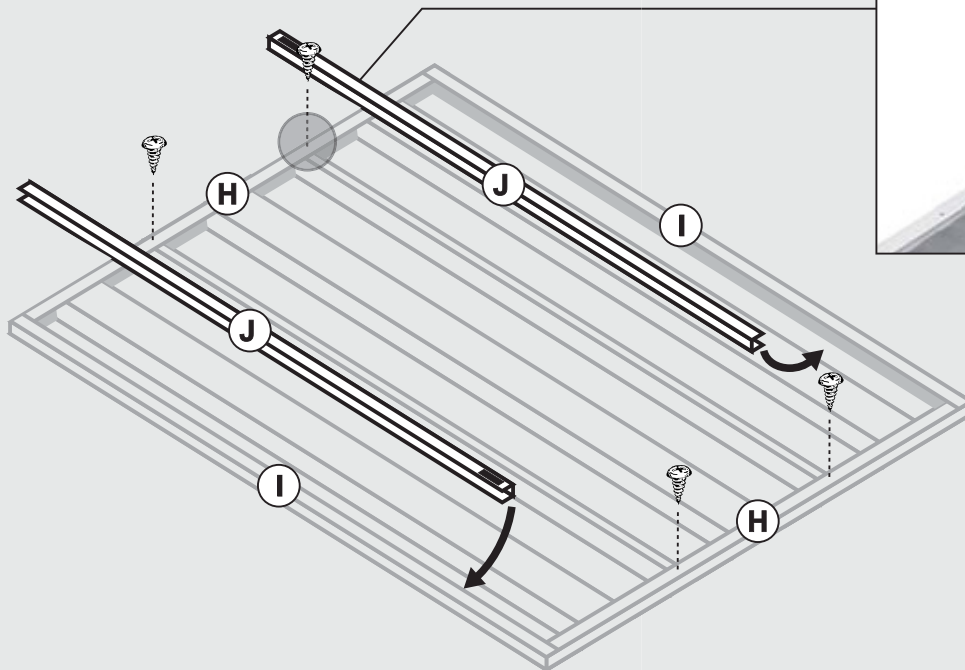
Frames slide under the sheet as shown. Ensure the small lip of the frame is to the top.



Fix door frames with a screw in each corner. Ensure that the big hole sits over the small.



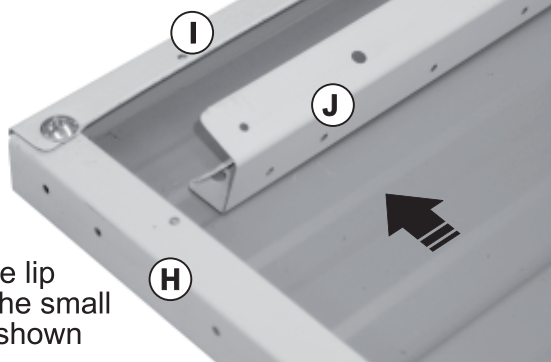
ASSEMBLE DOOR



Fix the frame H to the sheeting with screws through the small channel lips into the large sheeting ribs. Door boxing must be fitted to the door frame.

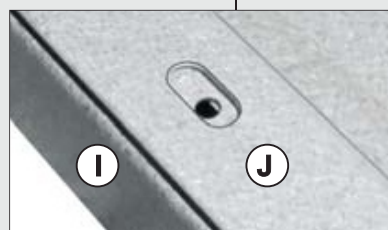
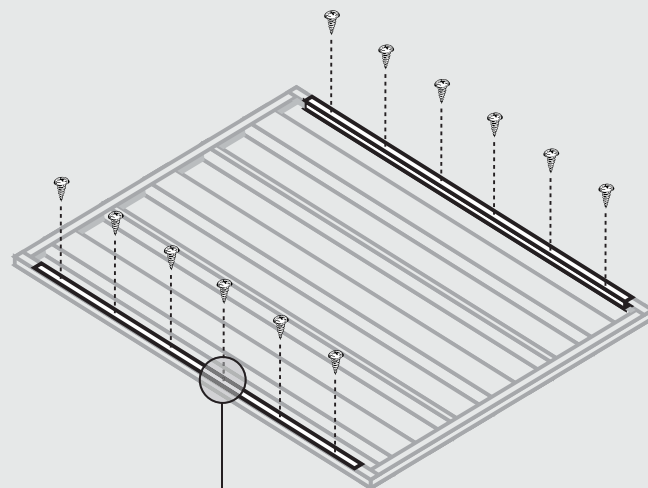
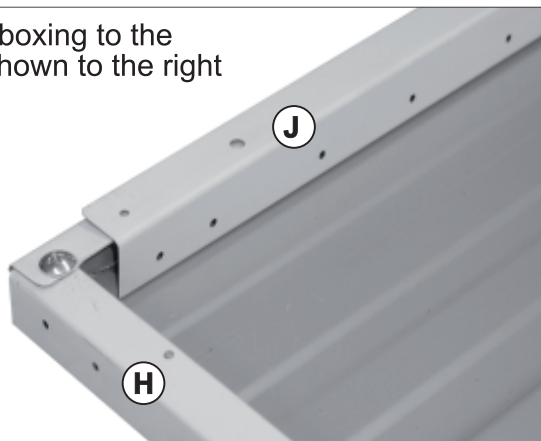
3

Leave an even gap at both ends of the boxing.



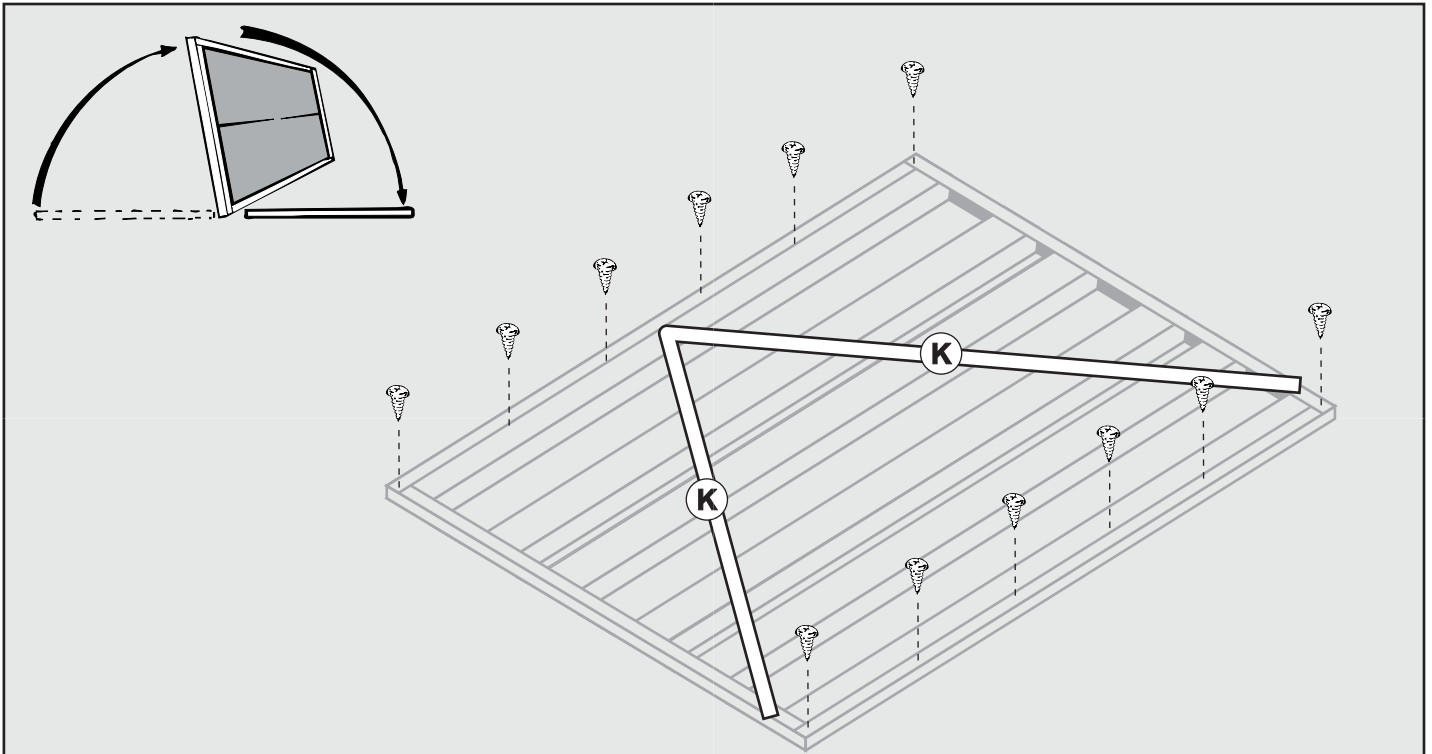
Place large lip of J over the small lip of I as shown

Screw the boxing to the frame as shown to the right



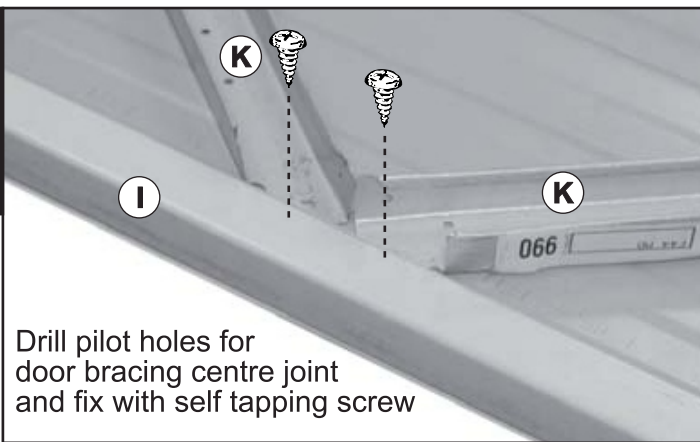
Fix both door boxing in place using six (6) screws.

ASSEMBLE DOOR



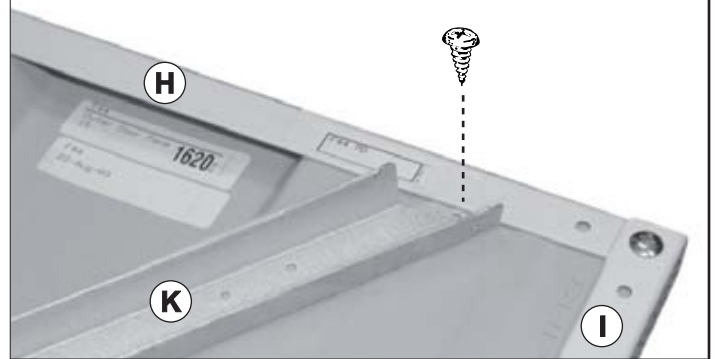
Flip the door assembly over and fix the door frame with screws evenly spaced as shown above. Door bracing will also need to be fitted to the door to ensure sturdiness.

4

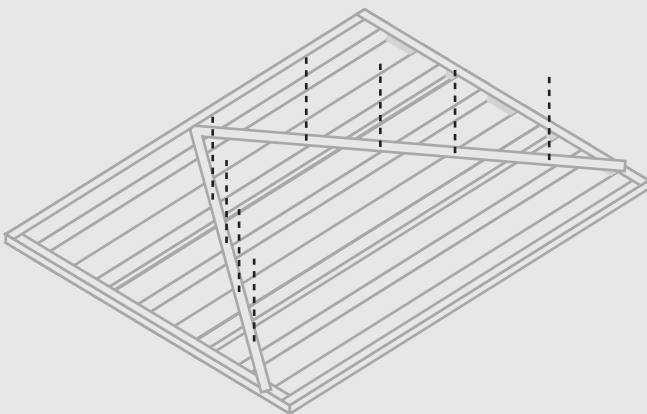


Drill pilot holes for door bracing centre joint and fix with self tapping screw

Drill pilot hole for top and bottom bracing joint, and fix with self tapping screw.



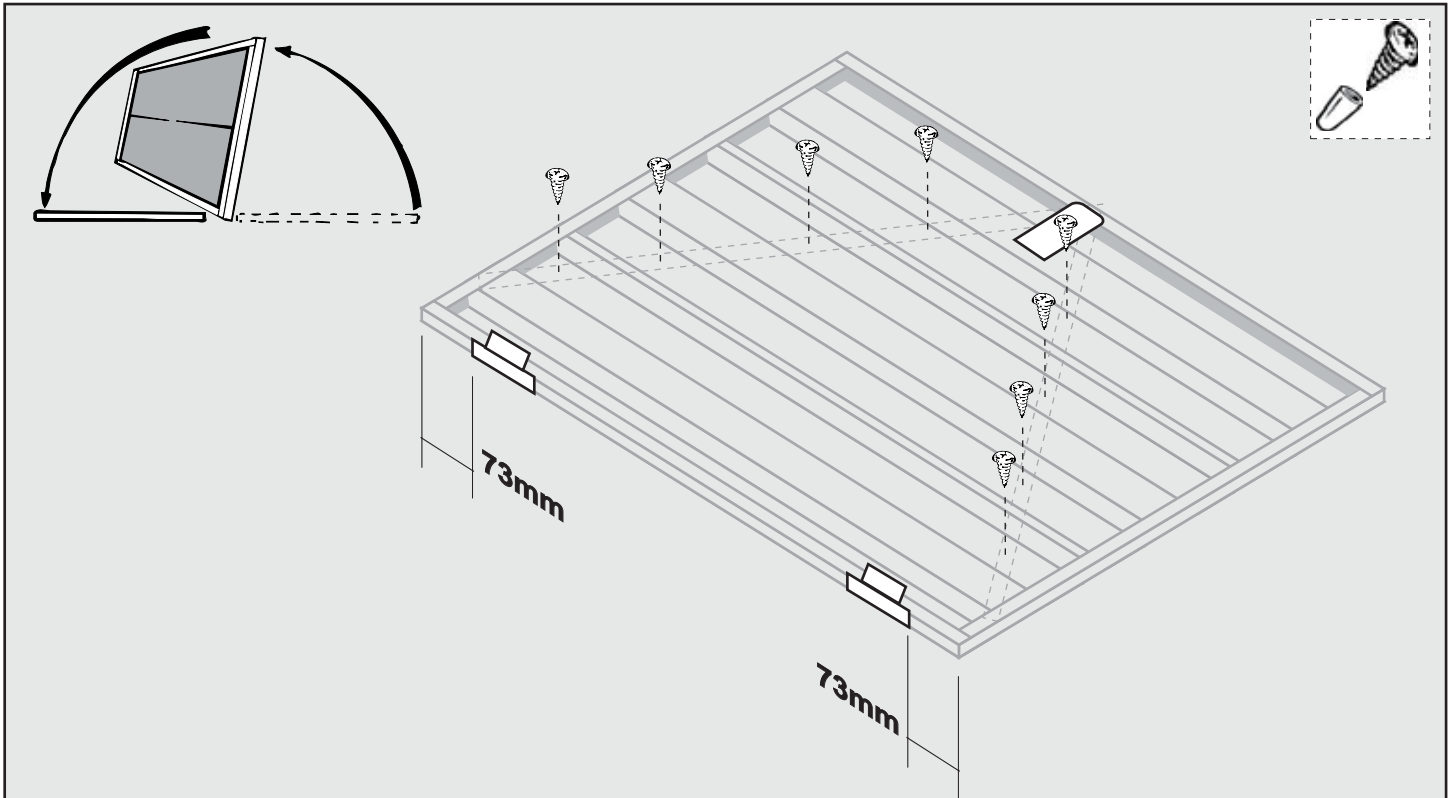
5



Use the 2.5mm drill bit to drill pilot holes through the door bracing into the door sheeting.

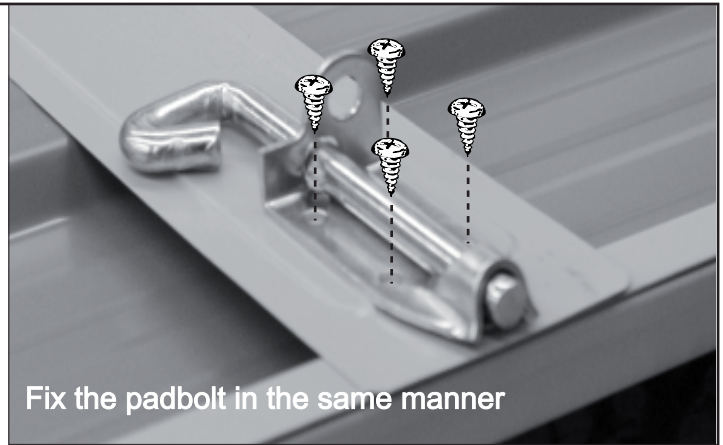
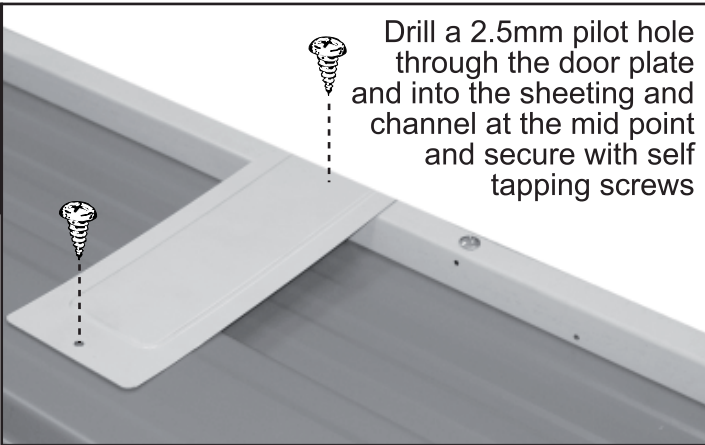
DO NOT FASTEN BRACING YET

ASSEMBLE DOOR

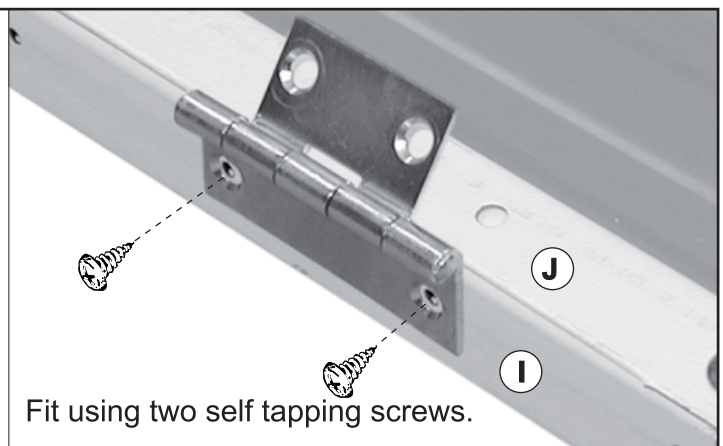
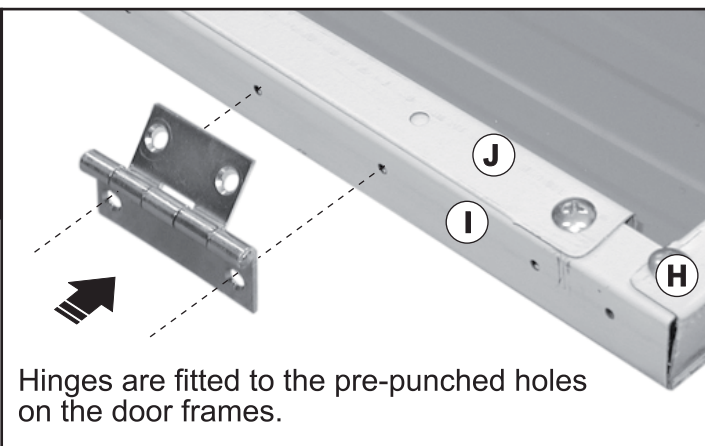


Flip the door back over to the front side facing up. Using the pilot holes drilled before, fix the door bracing from the front with self tapping screws.

6

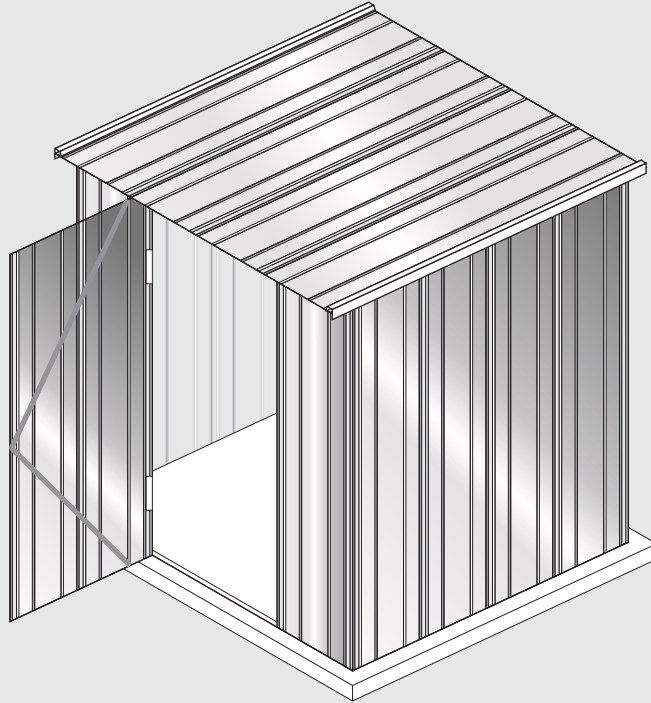


7



HANG DOOR

NOTE: The diagram below shows a 44 flat roof shed. The assembly process is the same for all sheds.



Fit the door to the left or right by fixing the hinges to the pre-drilled holes in the door jambs then fit the padbolt keeper.

1

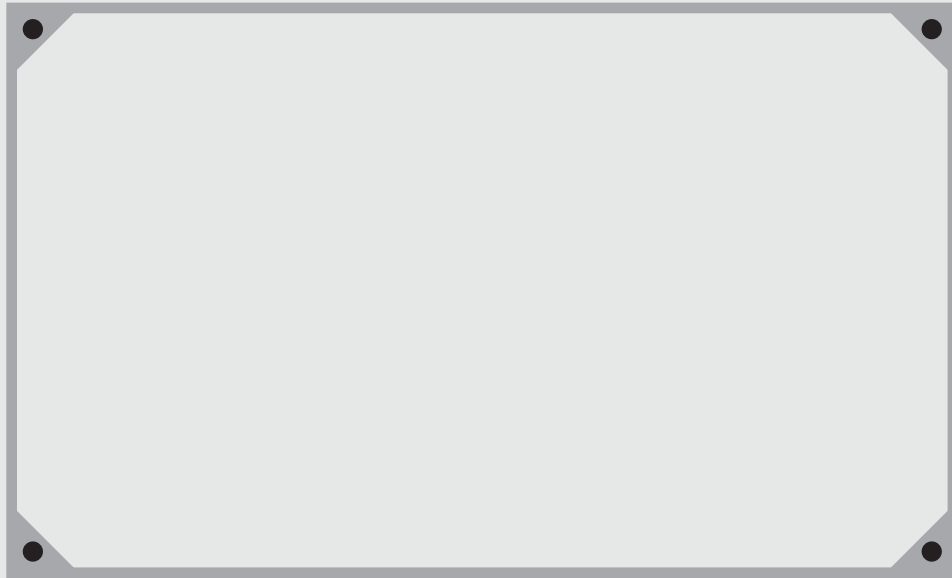


2



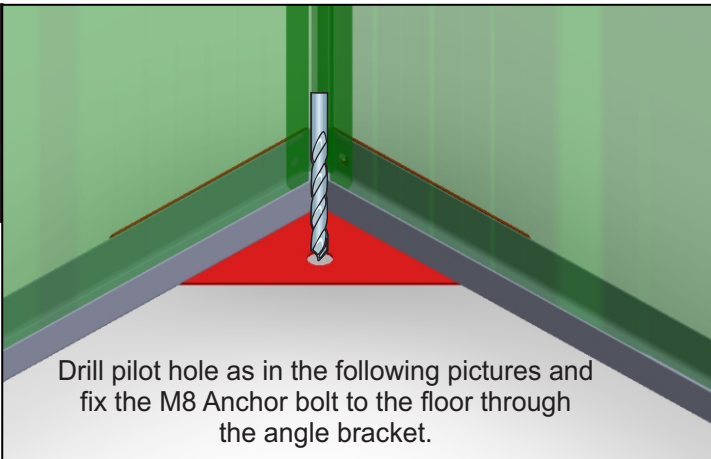
Drill pilot holes to accommodate the padbolt keeper and then fix with self tapping screws

BOLT DOWN

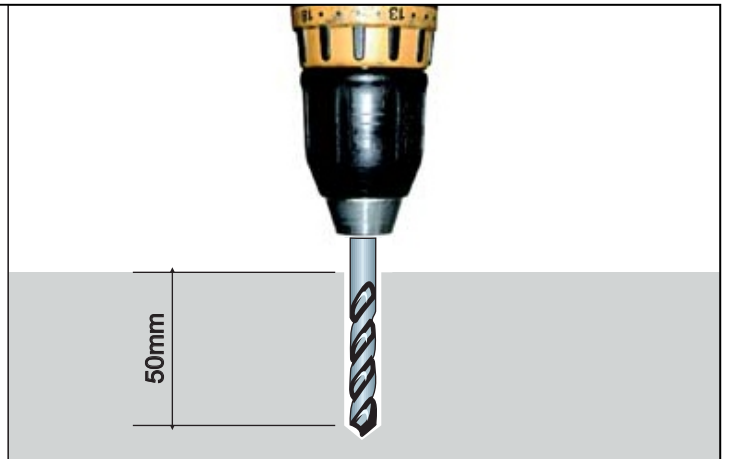


Bolt the shed down through the four corner brackets as shown. Ensure the shed is square.

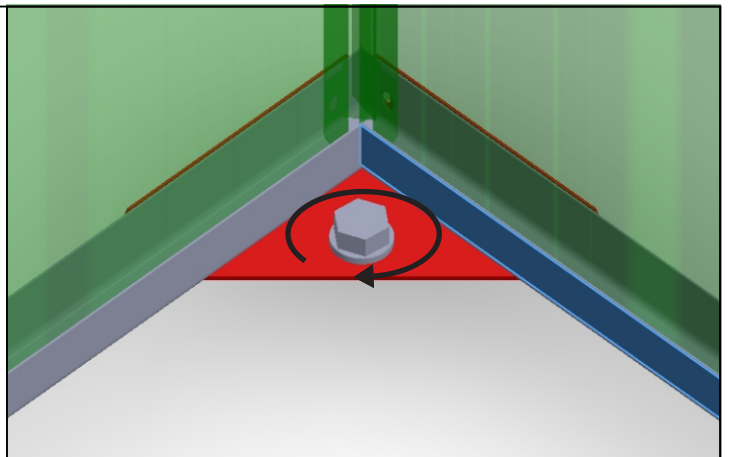
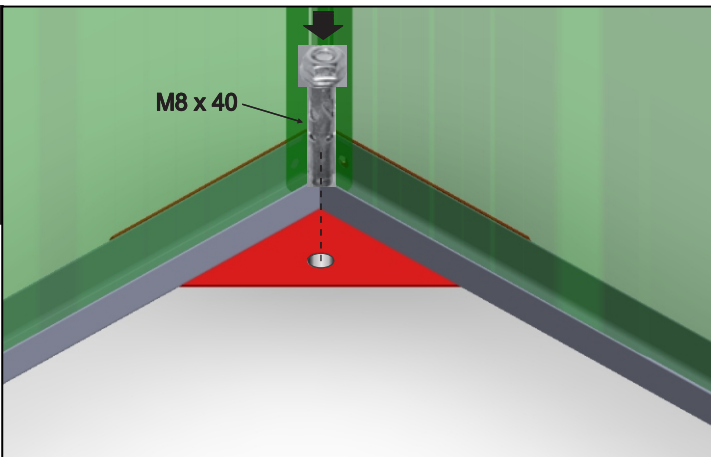
1



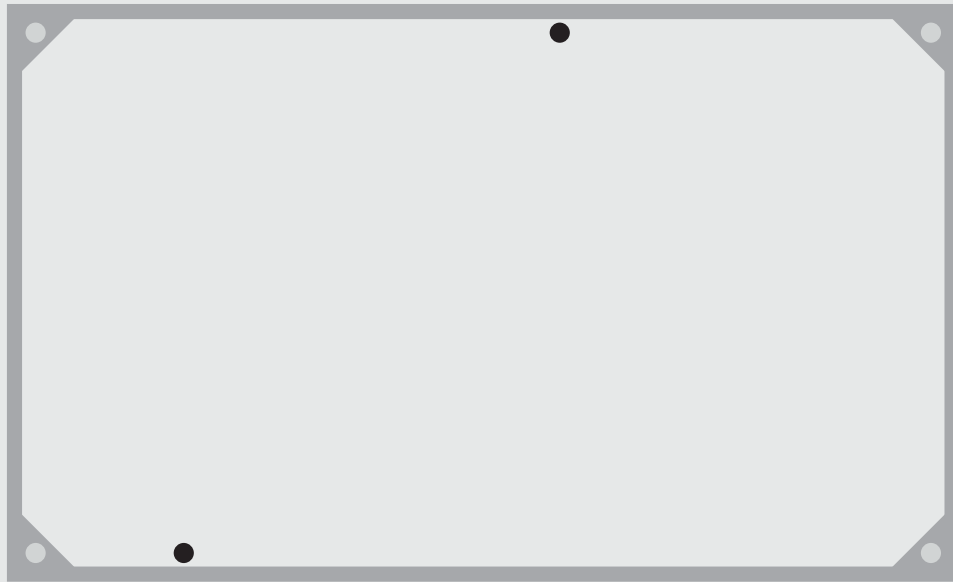
Drill pilot hole as in the following pictures and fix the M8 Anchor bolt to the floor through the angle bracket.



2

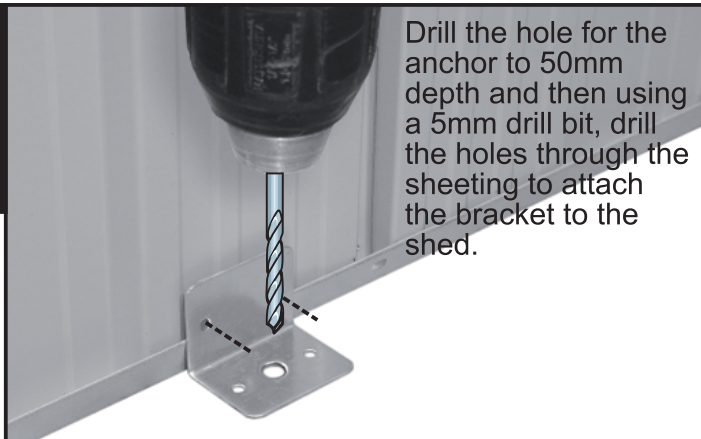


BOLT DOWN

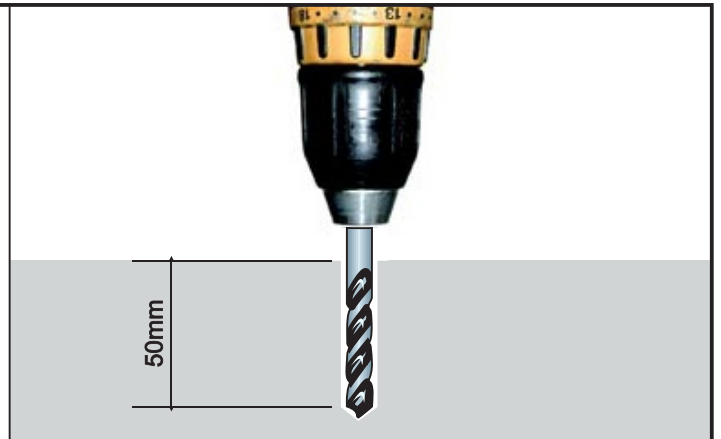


Bolt the shed down through the angle brackets as shown.

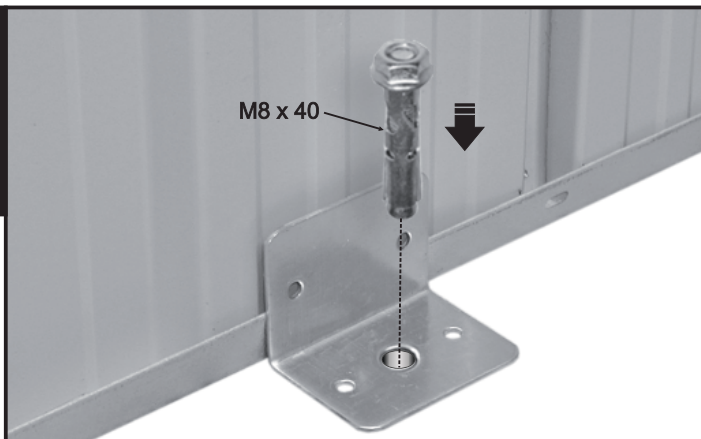
1



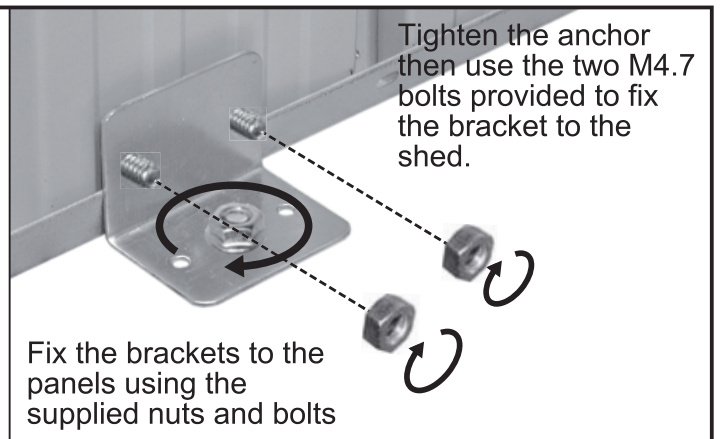
Drill the hole for the anchor to 50mm depth and then using a 5mm drill bit, drill the holes through the sheeting to attach the bracket to the shed.



2



M8 x 40



Tighten the anchor then use the two M4.7 bolts provided to fix the bracket to the shed.

Fix the brackets to the panels using the supplied nuts and bolts

NOTES



Simple, Strong,
Quick & Easy

15 Years Warranty

Thank you for purchasing FASTTRAK® system steel garden shed.

Your personal warranty is backed by Spanbilt, the manufacturer of FASTTRAK® system garden sheds, and our proven commitment to quality and customer service.

Our goods come with guarantees that cannot be excluded under Australian consumer law.

You are entitled to a replacement or refund of a major failure and Compensation for any reasonably foreseeable loss or damage. You are also entitled to have the goods repaired or replaced if the goods fail to be of acceptable quality and the failure does not amount to a major failure. Cost of claiming the warranty will be by the claimant.

This warranty is in addition to other rights and remedies of the customer under law.

Eligibility

- The 15 year warranty is eligible only to the original purchaser/owner of the shed as registered within 60 days from the date of purchase and is not transferrable.
- The warranty is valid for both Australia & New Zealand
- The warranty is subject to location and local environmental conditions outlined in the warranty exclusions below.

What is covered under the warranty?

FASTTRAK® steel garden shed 15 year warranty is limited to the following specific cover.

1. Zinc and/or galvanised panel materials will not rust
2. Coloured panel materials will not rust, flake, peel or blister.

Please note the 15 year warranty does not apply to any accessory items such as fasteners, Hasp, Pad bolts, also including flooring kits, shelving, hook sets, tool racks etc.

Warranty Qualifications & Limitations

The FASTTRAK® 15 year warranty is subject to the following qualifications and limitations

1. Warranty does not apply to surface deterioration of the panels caused specifically by
 - a. "Swarf"(tiny particles of steel debris left from cutting, grinding or drilling operations) that have not been dutifully removed during the assembly construction process.
 - b. As a result of contact with damp soil, chemicals, fertilisers, or other corrosive substances
2. Warranty does not cover damage caused by storms, wind, rain, hail, snow or any other adverse environmental event or "act of god"
3. Warranty only applies if the shed is used solely for domestic purposes and installation is in accordance and compliance with the FASTTRAK® instruction manual and manufacturer recommendations.
4. Warranty does not apply if the shed is installed / located in
 - a. Ocean/surf locations (typically defined as within 1km from coastal or tidal locations),
 - b. Severe industrial locations
 - c. Unusually corrosive environments (e.g. Geothermal / Sulphuric conditions)
5. Warranty does not cover any damage as a result of
 - a. Any impact
 - b. Due to poor foundations
 - c. Modifications
 - d. Build-up of debris on or in roof or walls
 - e. Poor assembly and/or construction
6. The warranty will be void if the shed has been relocated from its original location / address
7. The warranty is limited to the replacement and delivery of panels and specifically excludes any labour, installation or removal/disposal costs.
8. Warranty applies to the exclusions of all other representations, guarantees or warranties, either expressed or implied unless otherwise required by applicable legislation.
9. Your warranty registration certificate and supporting documentation must be completed and lodged within 60 days of the date of purchase.

Warranty Claims

All warranty claims should be made in writing sent directly to:

Australia

Spanbilt
PO Box 1581,
Browns Plains, Queensland, 4118

New Zealand

Spanbilt
PO Box 11-013,
Sockburn, Christchurch, 8443

Claims must include:

- a) Original proof of purchase documentation
- b) Relevant contact information
- c) Product model
- d) Photographic evidence
- e) Description of the damage



**Simple, Strong,
Quick & Easy.**

Warranty Registration Certificate

Owners Details

Owners Name:

Street Address:

City:

Postcode:

Email:

Building Details

Product Model Number:

Colour:

Place of Purchase:

Purchase Date:

Please attach here a photocopy of proof of purchase

Retain the original for your records

You must submit your warranty registration certificate within 60 days of the purchase date of your FASTTRAK® garden shed.

Post your certificate and supporting documentation to:

Australia

Spanbilt

PO Box 1581, Browns Plains

Queensland, 4118

New Zealand

Spanbilt

PO Box 11-013,

Sockburn, Christchurch 8443

FASTTRAK

**Simple, Strong,
Quick & Easy.**

**PO Box 1581
Browns Plains, QLD 4118**

**Enquiries
07 3827 8000
Fax
1800 222 166**

**Building Advice Line
1800 032 077
www.spanbilt.com.au**

**112 Waterloo Road
PO Box 11 -013
Sockburn, Christchurch**

**TELEPHONE
03 349 3480
Fax
0800 772 6245
www.spanbilt.co.nz**

Another Quality Product From

